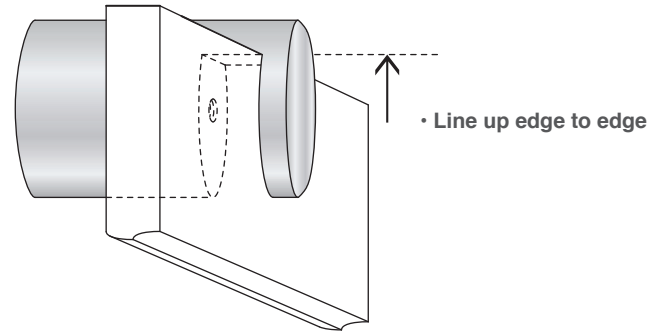


**WARNING**

- *This product is best installed according to manufacturer's instructions and be done so by qualified installer.*
- *All installation must be done so with proper hardware and protective gears to ensure safety.*
- *Always install on a sound substrate/surface.*

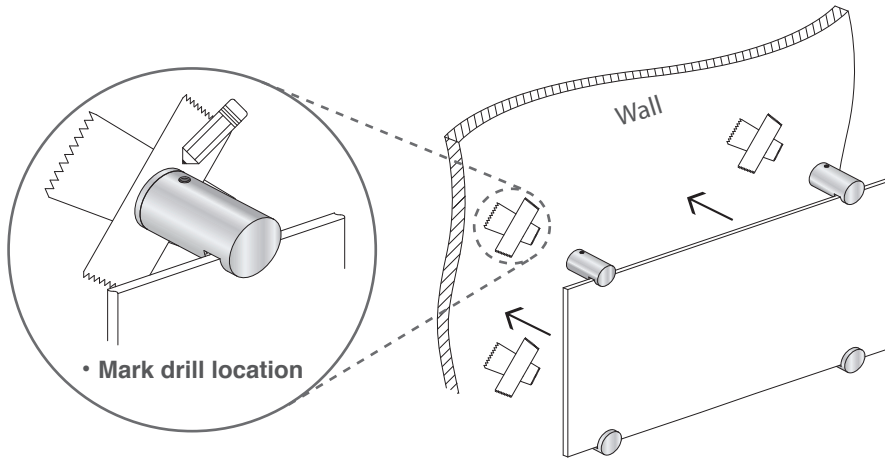
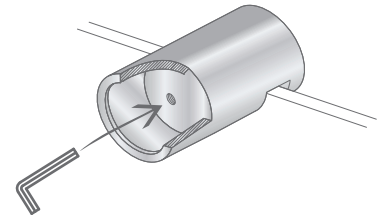


**Edge Grips**

1) With the panel prepped and ready for installation, install the edge grips on the panels. (Marking the grip locations on the panel is recommended).

The panel needs to sit as far into the opening as possible. Tighten the M4 set screw located inside the edge grip.

- **Take extra care not to completely flatten the nylon tips**



2) Use the assembled panel/grips as a template, mark drill points on the installation surface.

3) Mount anchors to wall. #8 screw or M6 stud.

4) After the anchors are mounted to the wall, slide the grips/panel onto the anchors. Tighten the outside M4 set screw once all grips are seated flush against the anchors.

Recommend gently tighten the set screws to hold the grips/panel in place before going back to the set screws to completely tighten them.

**Warning: Always check that all screws are tightened.**

