

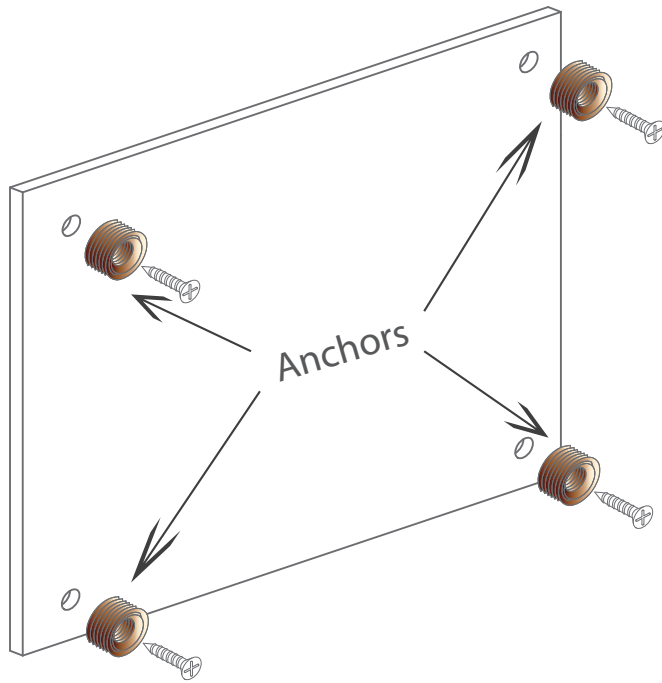
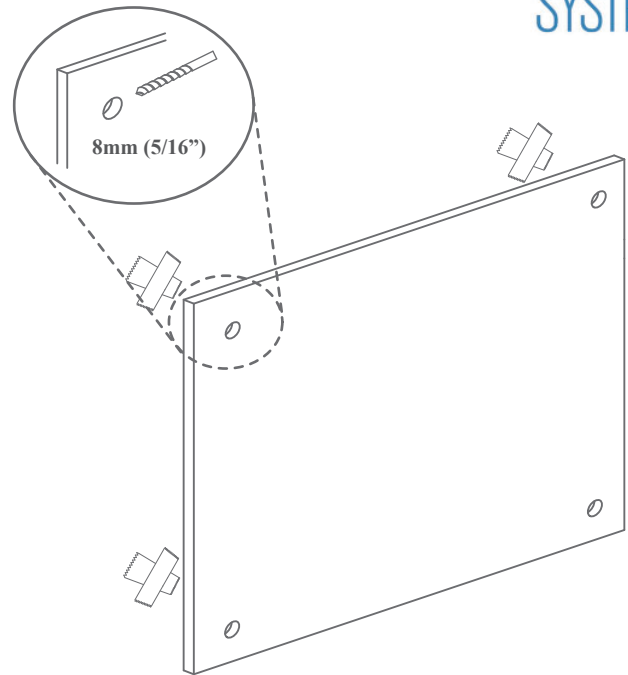
**WARNING**

- *This product is best installed according to manufacturer's instructions and be done so by qualified installer.*
- *All installation must be done so with proper hardware and protective gears to ensure safety.*
- *Always install on a sound substrate/surface.*

**Flush caps**

1) Each flush cap requires an 8mm (5/16") hole on the panel. Refer to your panel manufacturer/supplier on how to do so for different panel materials.

Once the holes are drilled, you can use the panel as a template to reference drill points on the wall/surface.



2) Mount the panel in place with the anchors and hardware. #8 screw or M6 stud.

3) Screw the flush caps onto the anchors.

**Check that parts are properly tightened.**

