

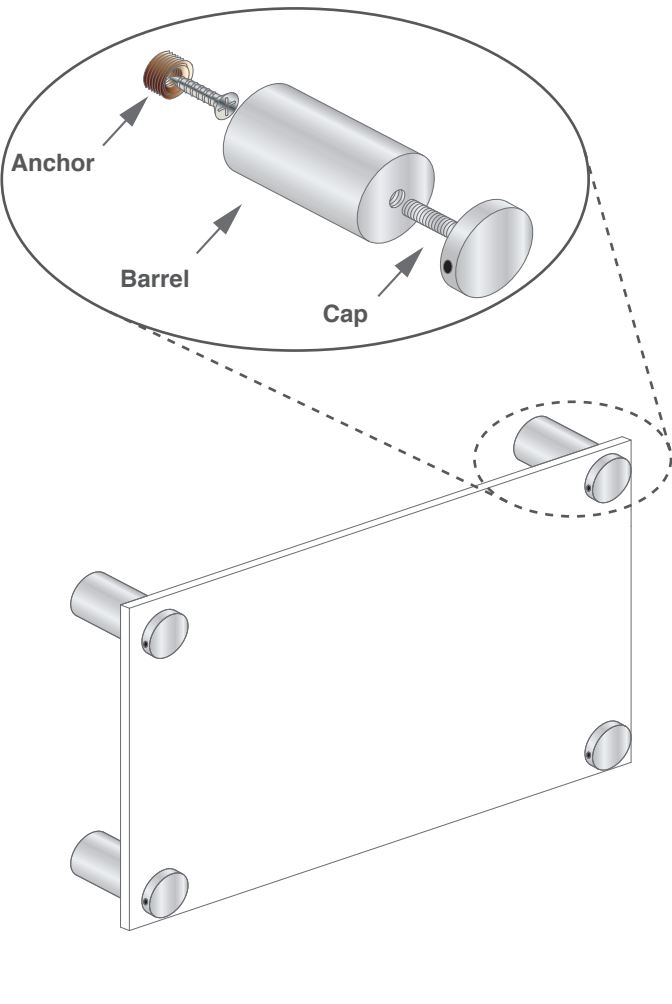
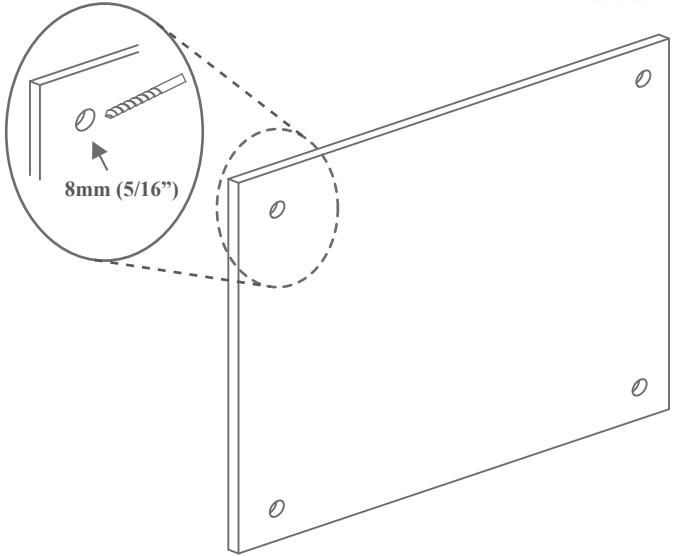
Standoffs

WARNING

- *This product is best installed according to manufacturer's instructions and be done so by qualified installer.*
- *All installation must be done so with proper hardware and protective gears to ensure safety.*
- *Always install on a sound substrate/surface.*

1) Drill 8mm (5/16") hole on the panel for each standoffs.
Refer to your panel manufacturer/supplier on how to do so for different panel materials.

Note: Use the panel as a template, when drilling holes on the wall or substrate.



2) Install wall anchors. #8 screw or M6 stud.

3) Screw barrels to anchors.

4) Install cap and panel. Tighten with M4 allen wrench using small hole located on the side of the cap or use soft-jaw plier.

Important: Make sure all parts are securely tightened.

